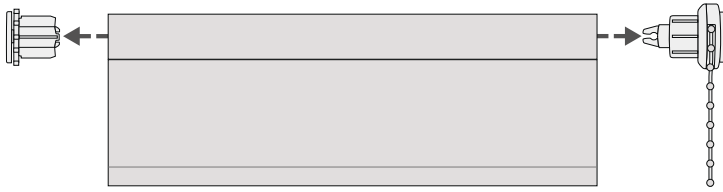
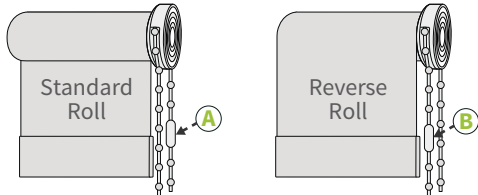


1

Before you Start



The controls will be positioned on the side you requested when you placed your order. If you wish to change them, simply pull them out of the tube and swap them around. This should be done before fitting the brackets.

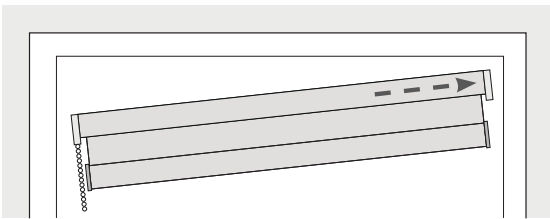


If your blind features a child safety chain connector instead of an endless loop, make sure it is positioned correctly *before* putting the control end back into the tube. For standard roll fabric, it needs to be positioned at the back of the loop (A). For reverse roll fabric, it needs to be positioned at the front of the loop (B). To do this, hold the control end and pull the chain round to the correct position as illustrated. See step 5 for a further explanation of standard and reverse roll.

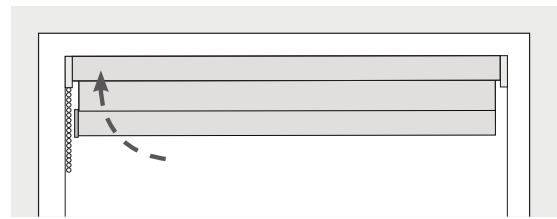
2

Installing the Blind

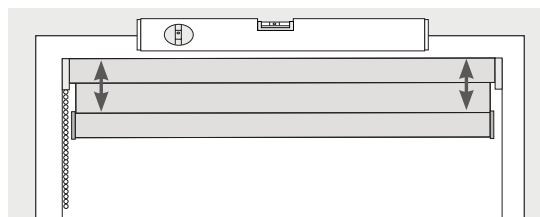
Measure and mark the required position of the blind inside the recess. Ensure that walls are solid, and the blind is positioned to miss any obstructions when operated, such as window handles.



First, lift the tensioner end of the blind into position inside the recess.

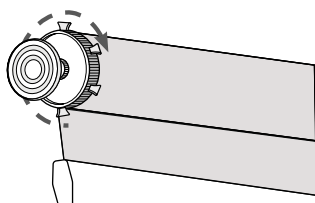


Now lift the control end of the blind (the side with the chain) until level inside the recess and release the pressure. The blind will hold itself in place.

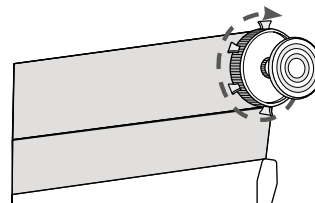


Before locking the blind in position, use a spirit level to ensure it is level within the recess.

Hold the blind securely in place and turn the tightening wheel to tighten the blind in place. If the tightener is on the left side of the blind, turn it towards you. If it's on the right, turn it away from you.



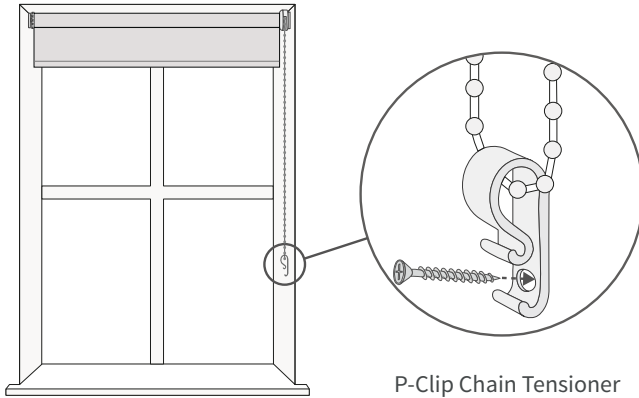
Tightener on the left



Tightener on the right

3

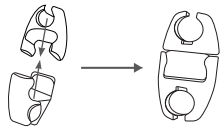
Child Safety



If your blind is supplied with a P-Clip chain tensioner, it must be fitted at the maximum distance possible from the control mechanism to prevent the chain loop from becoming slack.

With the chain inside the P-Clip, position it on the wall making sure the chain is taut yet still able to move freely. Mark the screw hole(s) with a pencil and attach it to the wall with the fixings provide.

Please note it is a requirement in accordance with BS EN 13120 to install the supplied child safety device and the installer is liable to ensure child safety.

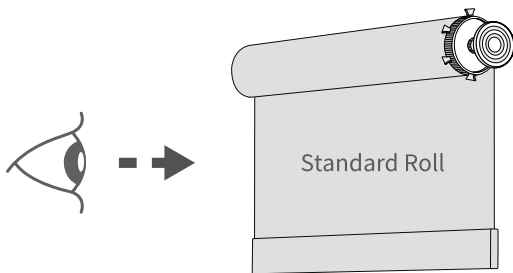


If your blind is equipped with a child safety Easy Way connector and it becomes disconnected, simply push both halves back together.

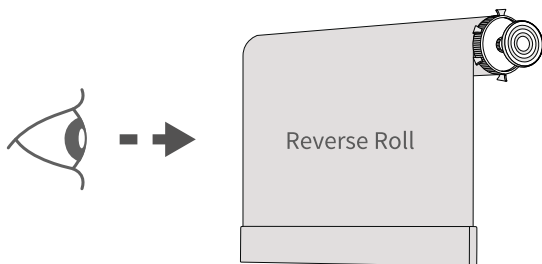
4

Additional Information

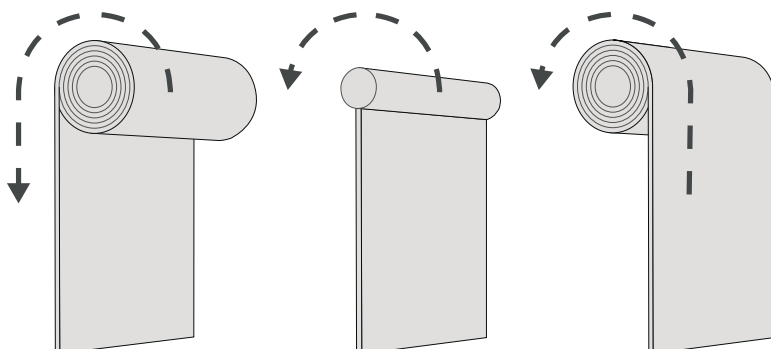
Changing the roll direction of the fabric:



The fabric of our roller blinds can be rolled onto the tube in two different directions. 'Standard' Roll is where the fabric rolls down off the back of the tube so that it's closest to the window.



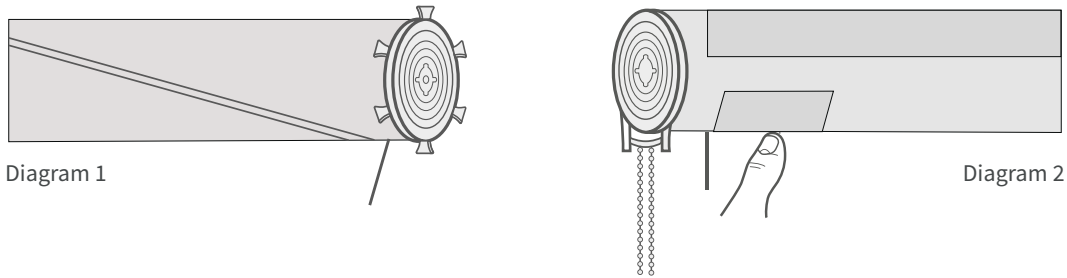
'Reverse' roll is where the fabric rolls down off the front of the tube thereby hiding the roll of fabric. This method gives added clearance at the back of the blind for obstructions such as window handles.



To change the direction of the roll, simply pull on the chain until the fabric is rolled all the way down fully exposing the aluminium tube. Once all the way down, hold the bottom of the fabric by the bottom bar to keep it taut and then proceed to keep on rolling in the same direction until the fabric has rolled all the way up the other side of the tube. Note that doing this will now reverse the direction you will need to pull the control chain for lowering and raising the blind.

Fabric Run-Off

Diagram 1 below shows the fabric running off from the right-hand side of the blind. To correct the run-off, unroll the fabric and place a 25mm piece of sticky tape onto the tube (Diagram 2) at the opposite end of the blind to the runoff. Fully wind the blind to the run-off. Repeat until the fabric is no longer running off.



Stiff Clutch Operation

If the clutch mechanism of the chain control is hard or stiff to operate, this could be caused by the tightener putting too much pressure on the blind.

To reduce the pressure, turn the tightener in the opposite direction as explained in STEP 2, ensuring that the blind stays secured and does not slip from the wall.

The installation of this product should be conducted by someone competent in DIY.

Children can be strangled if a safety device is not installed. Always use a safety device to keep cords and chains out of reach of children.