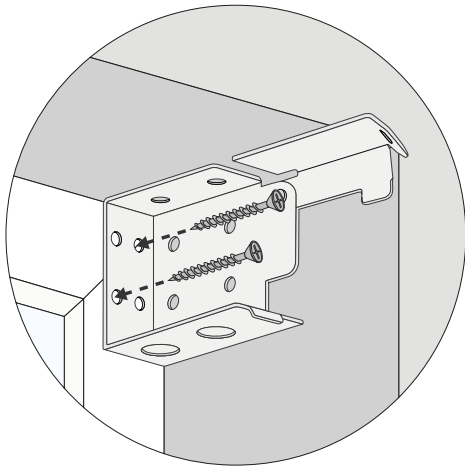


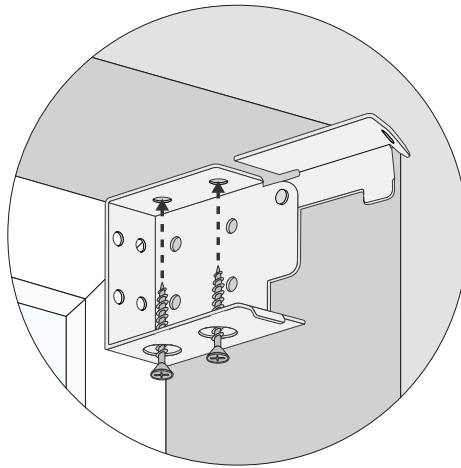
1

Fitting the Brackets

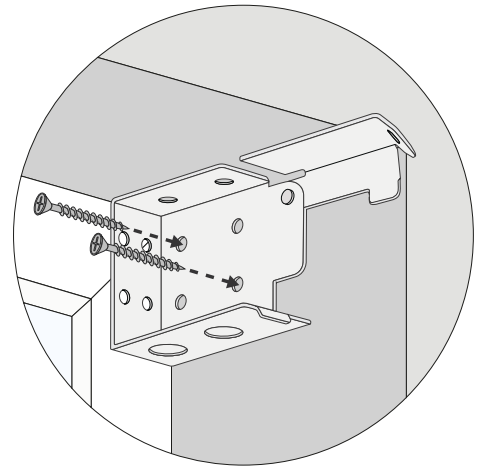
The brackets can be fitted in three different ways:



Face Fix

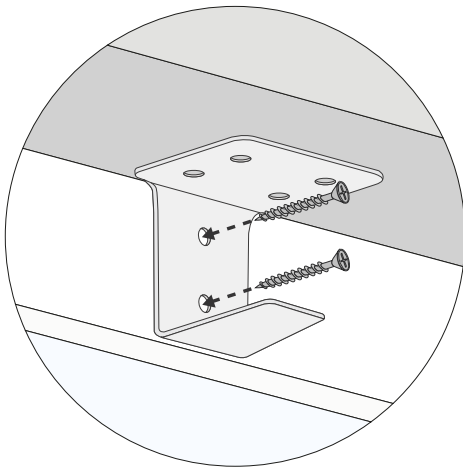


Top Fix

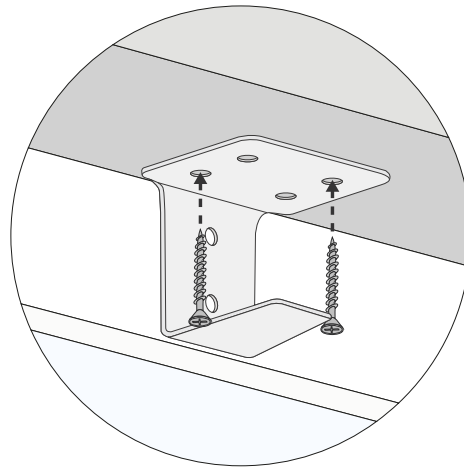


Side Fix

Blinds with a larger width come supplied with center support brackets. These need to be aligned with the top of the box (side) brackets. Install them with the bigger flap situated at the top and space them equally along the width of the blind making sure they are clear of any cords coming out of the headrail. They can be both face-fixed or top-fixed.



Face Fix

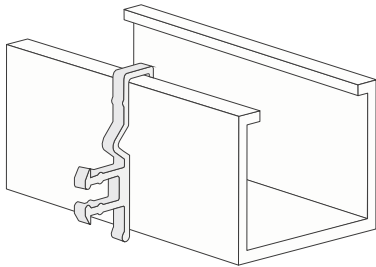


Top Fix

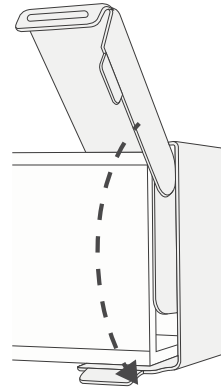
2

Installing the Blind

Valance Clips



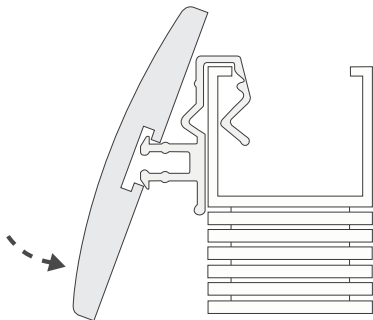
Prior to installing the blind into the brackets, hook the valance clips evenly along the length of the headrail.



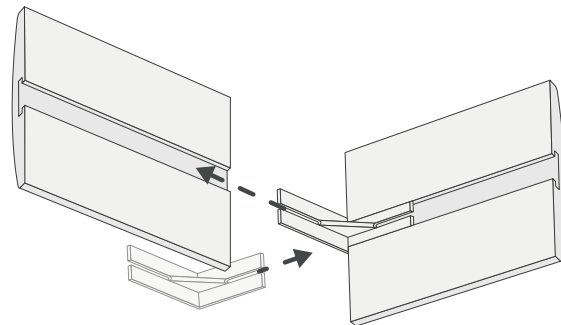
Open the gate of the box brackets, lift the blind up and slide the headrail into the open brackets. Swing the hinged section of the bracket down and press firmly until it is locked.

3

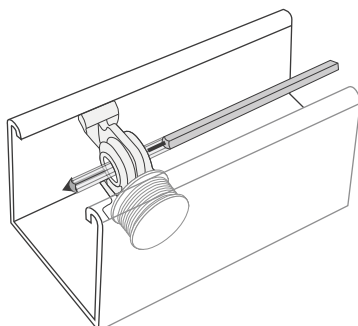
Installing the Valance



Place the valance onto the valance clips and push it into position.



If your blind has been supplied with valance returns, slide the valance return clip into the valance. Slot the other end of the valance clip onto the valance return and push them together until the edges align.



Handy Tip

If you pull on the cords to tilt/rotate the slats and they do not move:

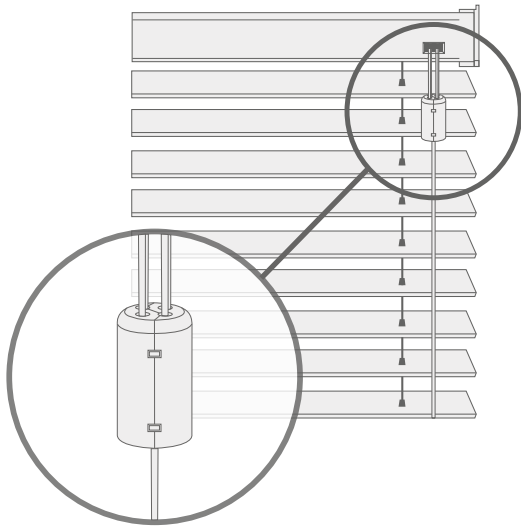
- Firstly, make sure the slats are in the fully open position and the two tilt cords are the same length.
- Next, pull the blind all the way up to the top, lock it off and remove the blind from the brackets.
- Now check inside the headrail and make sure the long metal rod is pushed fully into the tilting mechanism (as illustrated).

4

Child Safety

Breakaway Cord Condenser

A breakaway cord condenser comes pre-fitted to the lift cords, so when a horizontal force is applied to the cords entering the condenser, it will safely break apart thereby eliminating any hazardous loops.



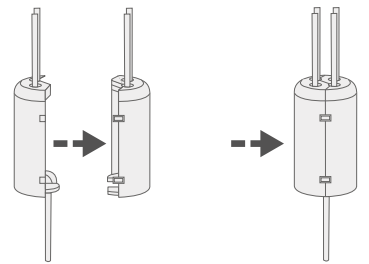
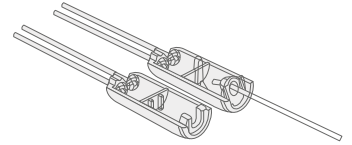
If the cord condenser becomes separated:

Firstly, untwist and untangle the cords.

If the blind features 2 cords: press the cord condenser together until it is fully closed.

If the blind features 3 cords: Place the loose cord into the opening in one half of the cord condenser and press the cord condenser together until it is fully closed.

If the blind features 4 cords: Place one of the loose cords into the opening of one half of the condenser, next place the remaining loose cord into the opening in the other half, then press the cord condenser together until it is fully closed.

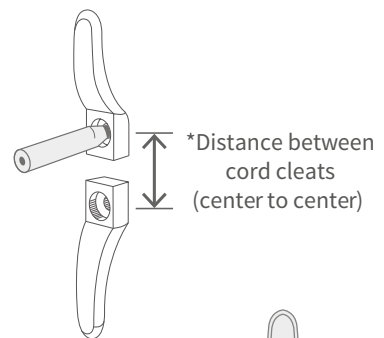


Cord Safety Cleat

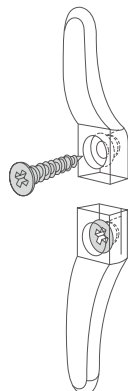
The safety cleat needs to be installed as close as possible to the headrail and in all cases not less than 1500mm from the floor. The cords must be fully wrapped around the safety cleat(s) when the blind is not in use. Refer to the table below to determine the distance required between the cleats to fully accumulate the cords when the blind is completely raised up.

Drop of Blind	*Distance between cord cleats (center to center)
1 - 1000mm	100mm
1001 - 2000mm	150mm
2001 - 3000mm	300mm

Place the safety cleat in the desired position on the wall and mark the positions of the holes with a pencil.



With the hole positions marked, drill as required and use the screws provided to attach the safety cleat to the wall.



Wrap the cords around the cord cleats in a figure of 8. When the cords are fully accumulated, ensure they are secure so that when any cord is pulled, no excess cord is released.



5

Operation Instructions

To tilt the blind: Pull on the required tilt cord tassel to tilt slats to the desired position.



Make sure to tilt the slats to the horizontal (open) position before raising or lowering to extend the life of the blind.

To lower the blind: Move the lift cord towards middle of the blind, pulling down gently until the cord lock releases.

To raise the blind: Pull the lift cord downward until the blind reaches the desired height.

To lock the cords: Pull the lift cord towards the outside of the blind and release. The cord will lock automatically.

6

Recommended Care

This product is maintenance free, however we do recommend that regular visual checks are completed to ensure that no components have been damaged, which could result in operating difficulties and/or cause a safety risk. Also, follow the guidelines below to ensure the blind remains in good working order.

1. When opening or closing the blind, only raise or lower it when the slats are in the horizontal (open) position. Larger blinds must be raised or lowered in stages. Raising or lowering in one singular motion will place excessive stress on the mechanism, strings and brackets. Do not force the cord when tilting the blinds, this may cause the mechanism to break.
2. It is not recommended for faux wood blinds to be fitted in areas where the temperature is likely to exceed 55 degrees Celsius, as this is likely to cause warpage of the slats.
3. Dust the blinds regularly.