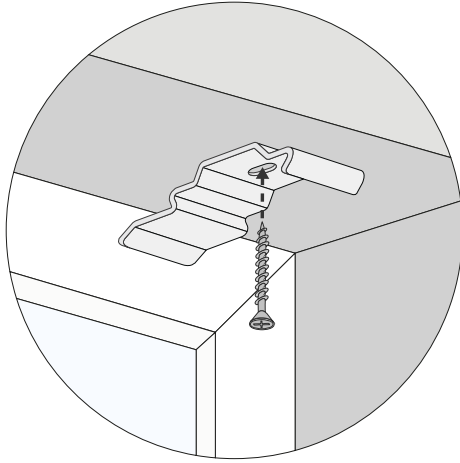


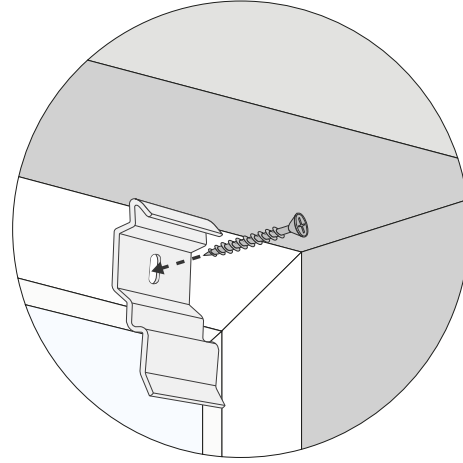
1

Fitting the Brackets

The brackets can be fitted in two different ways:



Top Fix



Face Fix

For a blind up to 1 metre wide attach two brackets fitted approximately 75mm (3") from each end of the blind (Fig. 1).

Any intermediate brackets should be spaced evenly between these two brackets.

As a general rule:

- Blinds up to 1000mm wide - 2 brackets
- 1000mm to 2000mm wide - 3 brackets.
- 2000mm to 3000mm wide - 4 brackets.
- Over 3000mm wide - 5 brackets.

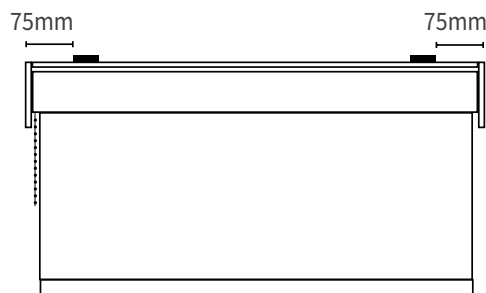
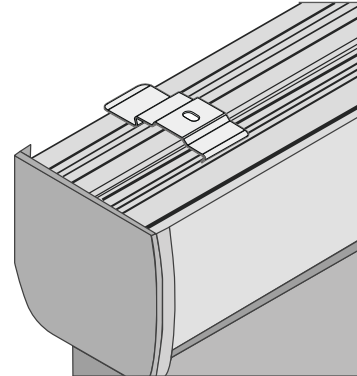
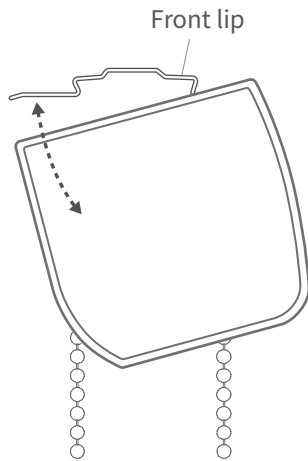


Fig. 1.

If you're fitting the blind inside the window recess, remember to allow room for the blind to clear any obstacles when being raised and lowered, such as window handles.

2

Fixing The Cassette/Headbox

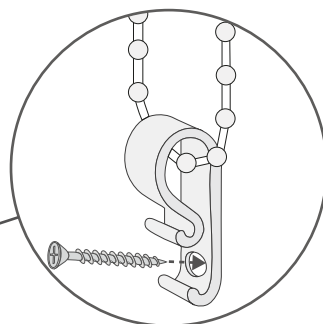
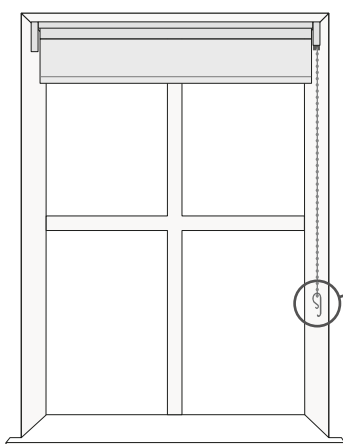


Once all the brackets are securely fixed in place, offer the blind to the brackets.

With the cassette tilted away from you, locate the front lip into the bracket and push upwards to click the cassette into the back lip of the bracket.

3

Child Safety



P-Clip Chain Tensioner

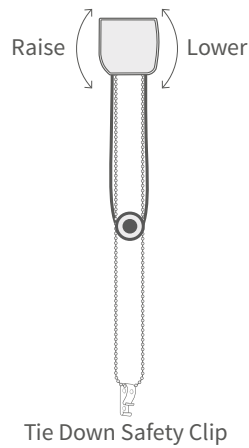
The P-Clip chain tensioner must be fitted at the maximum distance possible from the control mechanism to prevent the chain loop from becoming slack.

With the chain inside the P-Clip, position it on the wall making sure the chain is taut yet still able to move freely. Mark the screw hole(s) with a pencil and attach it to the wall with the fixings provide.

Please note it is a requirement in accordance with BS EN 13120 to install the P-Clip and the installer is liable to ensure child safety.

4

Operating Your Blind



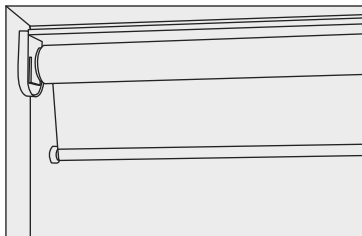
1. To lower the fabric gently pull the operating chain closest to the window.
2. To raise the fabric gently pull the operating chain furthest from the window.

5

Troubleshooting

Rippled Fabric

If there is a ripple in the fabric, check the blind is installed horizontally (use a spirit level) and check the fabric is centred inside the headbox.



Fabric Run-Off

Fig. 2 below shows the fabric running off from the right-hand side of the blind. To correct the run-off, unroll the fabric and place a 25mm piece of sticky tape onto the tube (Fig. 3) at the opposite end of the blind to the run-off. Fully wind the blind to the run-off. Repeat until the fabric is no longer running off.

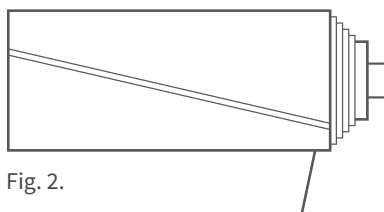


Fig. 2.

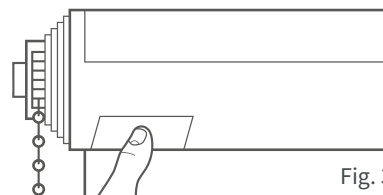


Fig. 3.