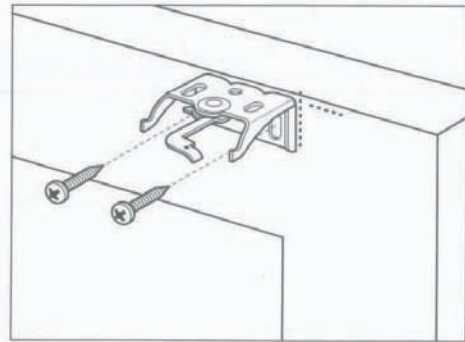


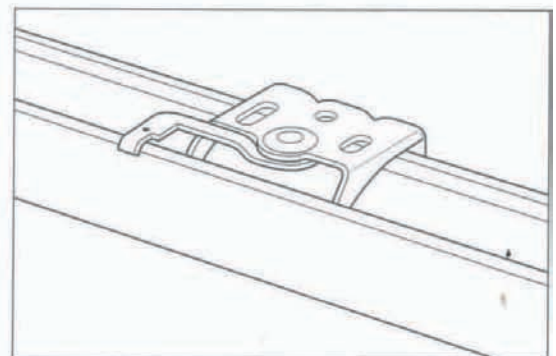
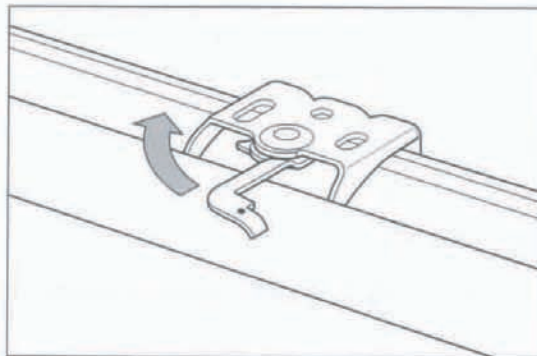
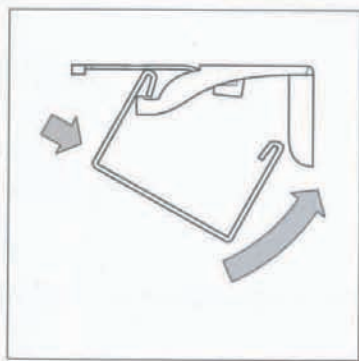
**Top Fixing**

Measure and mark the position of the bracket, allowing for obstructions like handles that protrude into the recess area. Mark this measurement on the lintel and align the back of the bracket with this line. Fix the bracket into position using the fixing holes

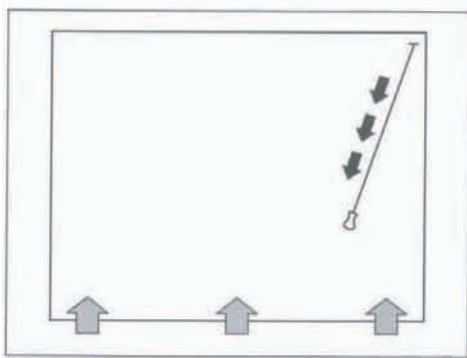


**Face Fixing**

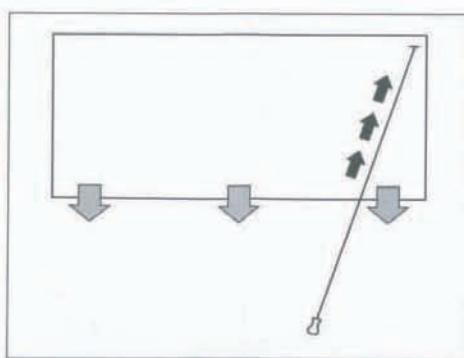
Position the bracket with the swivel arm open and fix bracket using holes shown.



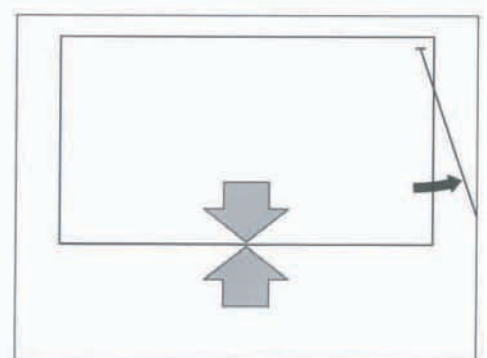
Open the swivel arm fully. Clip the front of the blind headrail over the bracket and then push the headrail up. Finally push the swivel arm backwards as far as it will go.



To lift the blind, pull the cord to the left and downwards



To drop the blind, pull the cord to the left and upwards.



To lock the blind, pull the cord to the right.